



CLASSIFICATION REPORT REACTION TO FIRE according to PN-EN 13501-1+A1:2010

Contract nr: 1901/16/R21NZP

Customer:	Profile Vox Sp. z o.o. Sp. k. 143 Gdyńska Str. 143 62-004 Czerwonak
Prepared by:	Fire Research Department Building Research Institute 1 Filtrowa Str. 00-611 Warszawa
Product name:	External wall panels Kerrafront Trend FS-301 and Kerrafront Modern Wood FS-302 with finishing elements
Classification report №:	1901.2/16/R21NZPE (English version of 1901.2/16/R21NZP)
Issue nr: 1	Copy 1
Date of issue:	2017-06-30

This classification report consists of 6 pages and may only be used or reproduced in its entirety.

1. Introduction

This classification report defines the classification assigned to Kerrafront Trend FS-301 and Kerrafront Modern Wood FS-302 external wall panels with finishing elements in accordance with procedures given in PN-EN 13501-1+A1:2010.

2. Details of classified product

2.1. General

Set of Kerrafront Trend FS-301 and Kerrafront Modern Wood FS-202 panels made from expanded unplasticised polyvinylchloride PVC-UE with coextrusive layer made from PVC-U and finishing elements made from PVC-U is used in construction.

Product description

The product is described below. Kerrafront Trend FS-301 and Kerrafront Modern Wood FS-302 external wall panels with finishing elements.

Maximal width: 373 mm

Schematics of panels and finishing elements are included in Enclosure № 1 for this classification report.

Panels and finishing elements are produced by the company PROFILE VOX sp. z o.o. sp.k., ul. Gdyńska 143, 62-004 Czerwonak.

3. Test reports and test results as a basis of the classification

3.1. Test reports

Laboratory	Customer	Test report nr	Test method
Fire Testing Laboratory Building Research Institute	Profile Vox Sp. z o.o. S. K.	LP08-1901/16/R21NP	PN-EN ISO 11925-2:2010+AC:2011
		LP09-1901/16/R21NP	PN-EN ISO 11925-2:2010+ AC:2011
		LP04-1901/16/R21NP	PN-EN 13823+A1:2014
		LP05-1901/16/R21NP	PN-EN 13823+A1:2014

3.2. Test results

Test method	Parameter	Number of tests	Results	
			Continuous parameter – mean (m)	Compliance with the parameter
PN-EN ISO 11925-2 30 s exposure Surface and edge exposure	Flame propagation $F_s \leq 150$ mm	6	(-)	Y
	Flaming droplets/particles		(-)	N
PN-EN ISO 11925-2 30 s exposure Surface and edge exposure	Flame propagation $F_s \leq 150$ mm	6	(-)	Y
	Flaming droplets/particles		(-)	N
PN-EN 13823	FIGRA _{0,2MJ} [W/s]	3	195,5	(-)
	FIGRA _{0,4MJ} [W/s]		190,1	(-)
	LFS < edge		(-)	Y
	THR _{600s} [MJ]		17,5	(-)
	SMOGR _A [m ² /s ²]		257,4	(-)
	TSP _{600s} [m ²]		2266,4	(-)
	Flaming droplets/particles		(-)	N
PN-EN 13823	FIGRA _{0,2MJ} [W/s]	3	185,1	(-)
	FIGRA _{0,4MJ} [W/s]		185,1	(-)
	LFS < edge		(-)	Y
	THR _{600s} [MJ]		17,4	(-)

	SMOGRA [m ² /s ²]	285,3	(-)
	TSP _{600s} [m ²]	2374,4	(-)
	Flaming droplets/particles	(-)	N
(-): not applicable, Y: Yes, N: No			

4. Classification and the field of application

4.1. Reference of the classification

The classification has been carried out in accordance with PN-EN 13501-1+A1:2010.

4.2. Classification

External wall panels Kerrafront Trend FS-301 and Kerrafront Modern Wood FS-302 with finishing elements, in relation to its reaction to fire behaviour are classified:

D

The additional classification in relation to smoke production is:

s3

The additional classification in relation to flaming droplets/particles is:

d0

The format of the reaction to fire classification for construction products excluding floorings and linear pipe thermal insulation products is:

Fire behaviour		Smoke production			Flaming droplets	
D	-	s	3	,	d	0

i.e.: **D-s3,d0**

Reaction to fire classification: D-s3,d0

4.3 Field of application

This classification is valid for Vinyl siding VOX with finishing elements described in section 2.

This classification is valid for the following end-use applications:

- External wall panels Kerrafront Trend FS-301 and Kerrafront Modern Wood FS-302 described in section 2 mounted directly on any substrates with reaction to fire class at least A2-s3,d0 or in any distance from a/m substrates,
- External wall panels Kerrafront Trend FS-301 and Kerrafront Modern Wood FS-302 described in section 2 fixed mechanically in any orientation to support structure made from pine wood or spruce wood or to metallic support structure.

5. Limitations

This classification will be valid until:

- The test method remains unchanged,
- Product standard or technical approval remains unchanged,
- Constructional or material modifications do not exceed limits of the field of application defined in 4.3.

This classification report has been issued in 3 copies (two for Customer and one for archive of Fire Department of Building Research Institute). Additional approved copies can be issued by Fire Research Department – Building Research Institute under the request of the report's owner only.

The Classification determined for the product and given in this report corresponds with the declaration of functional properties (to 1 July 2013 - of declaration of performance) of producer of the evaluation in system 3 and the verification of the constancy of functional properties (to 1 July 2013 - of system of the conformity assessment) of both CE marking according to the harmonized technical specification of the product and with the regulation of the European Parliament (EU) No. 305 / 2011 from 9 March 2011 of establishing harmonized conditions into the turnover of building products and repealing Council directive 89 / 106 / EWG.

The manufacturer declared that during the product formulation process do not occur any special processes, procedures, steps (eg. addition of fire retardants, decreasing of the organic substrates or addition of fillers), which could improve the fire properties of the product and in consequence the higher fire classification. In the consequence the manufacturer declares that the declaration of performance - system 3 is appropriate. The manufacturer declaration is archived.

Resume, the research laboratory does not participate in the sampling, although it has got appropriate information given by the producer to allow the identification of tested samples.

This classification document does not represent the approval or certification of the product.

Signed

Andrzej Kolbrecki Ph.D. Eng.



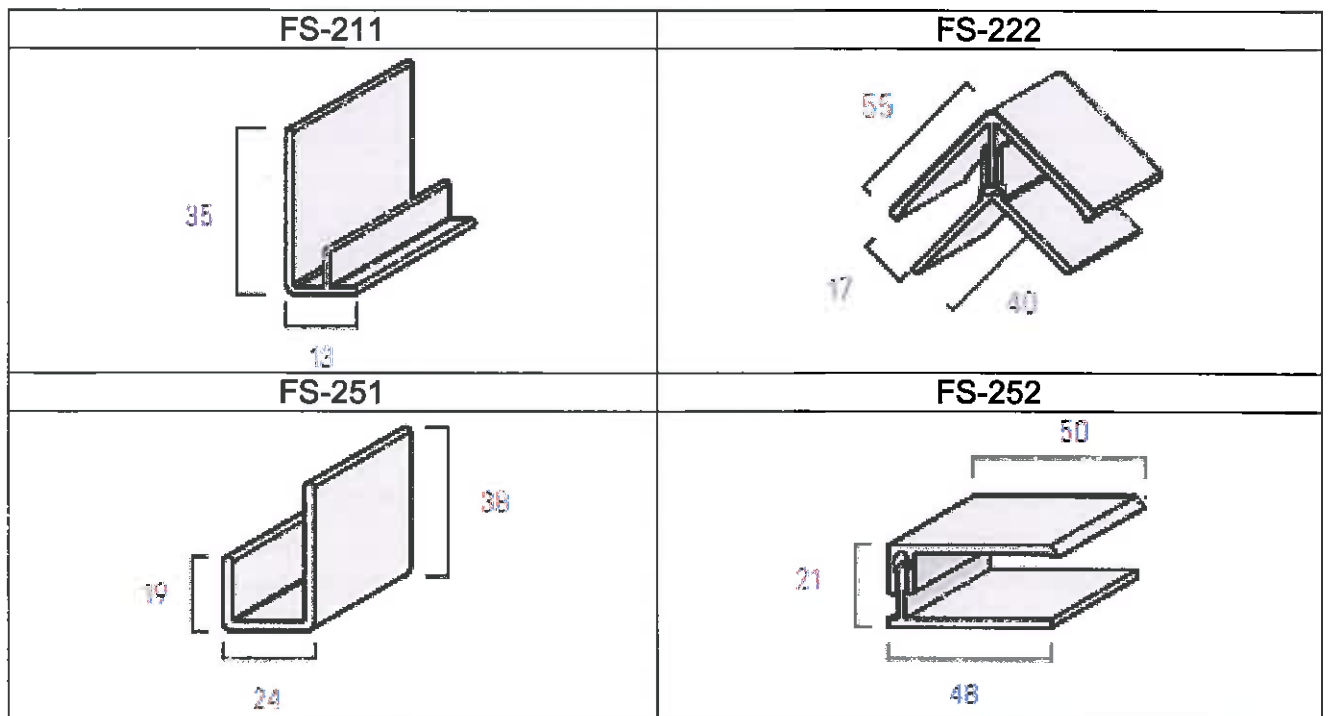
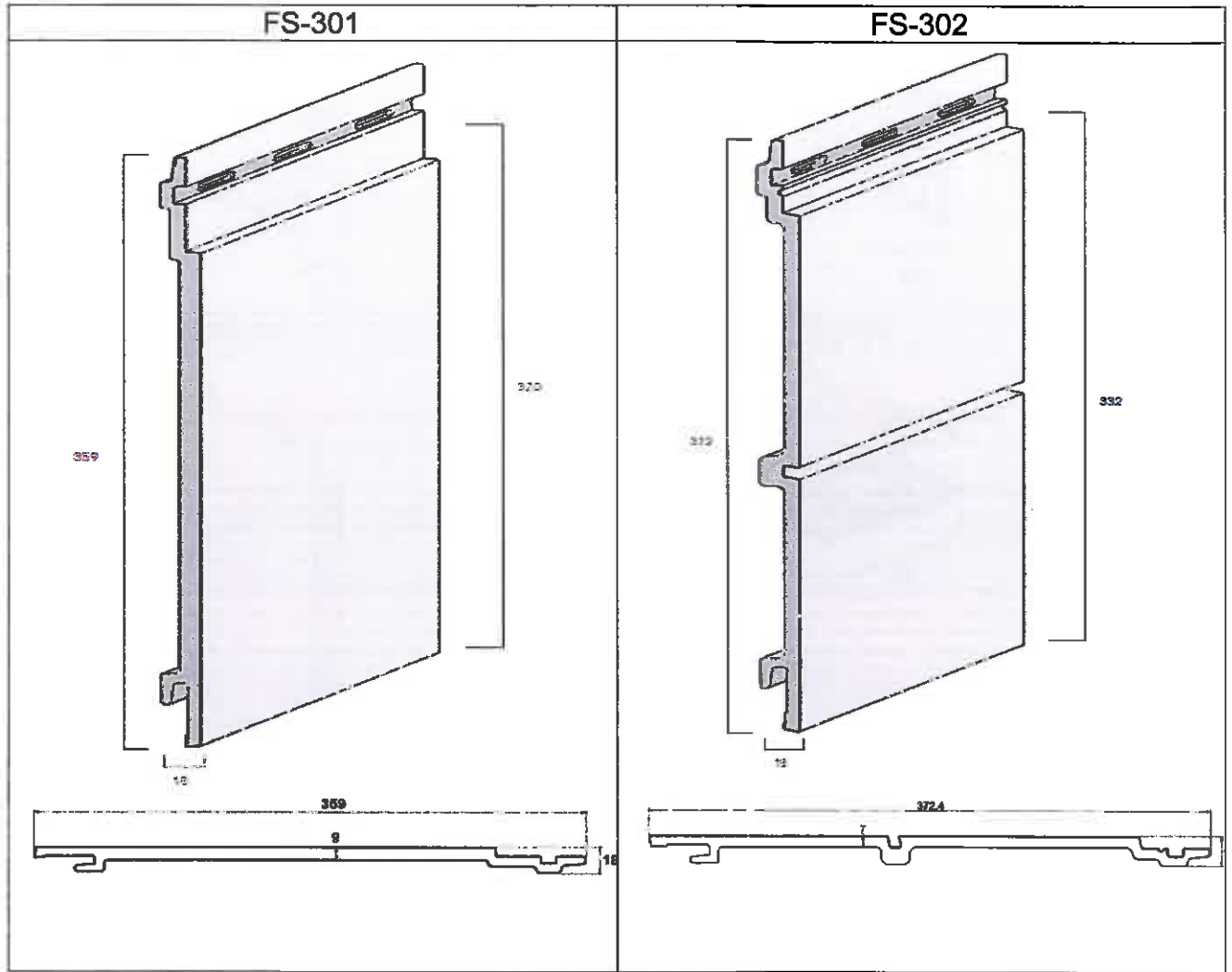
Approved

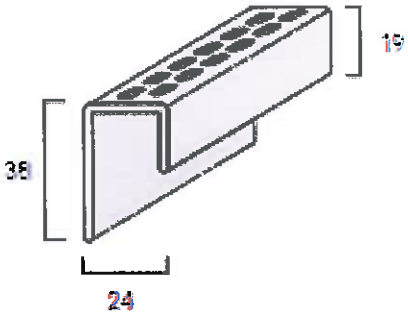
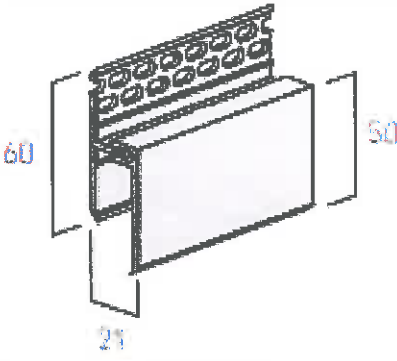
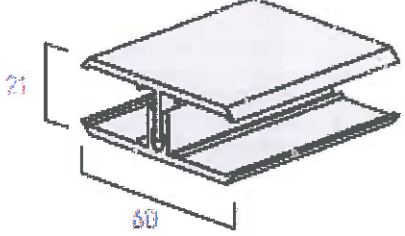
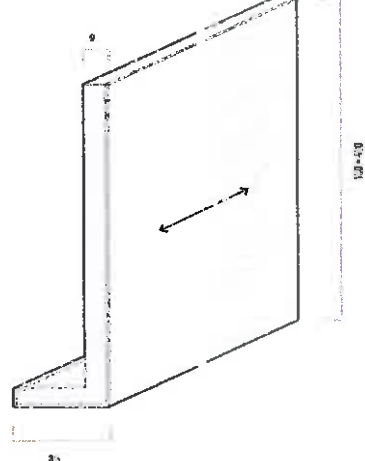
H E A D
Fire Research Department

Pawel Sulik, Ph.D. Civil Eng.



ENCLOSURE № 1



FS-261	FS-262
	
FS-282	PZ-607
	

Finishing elements